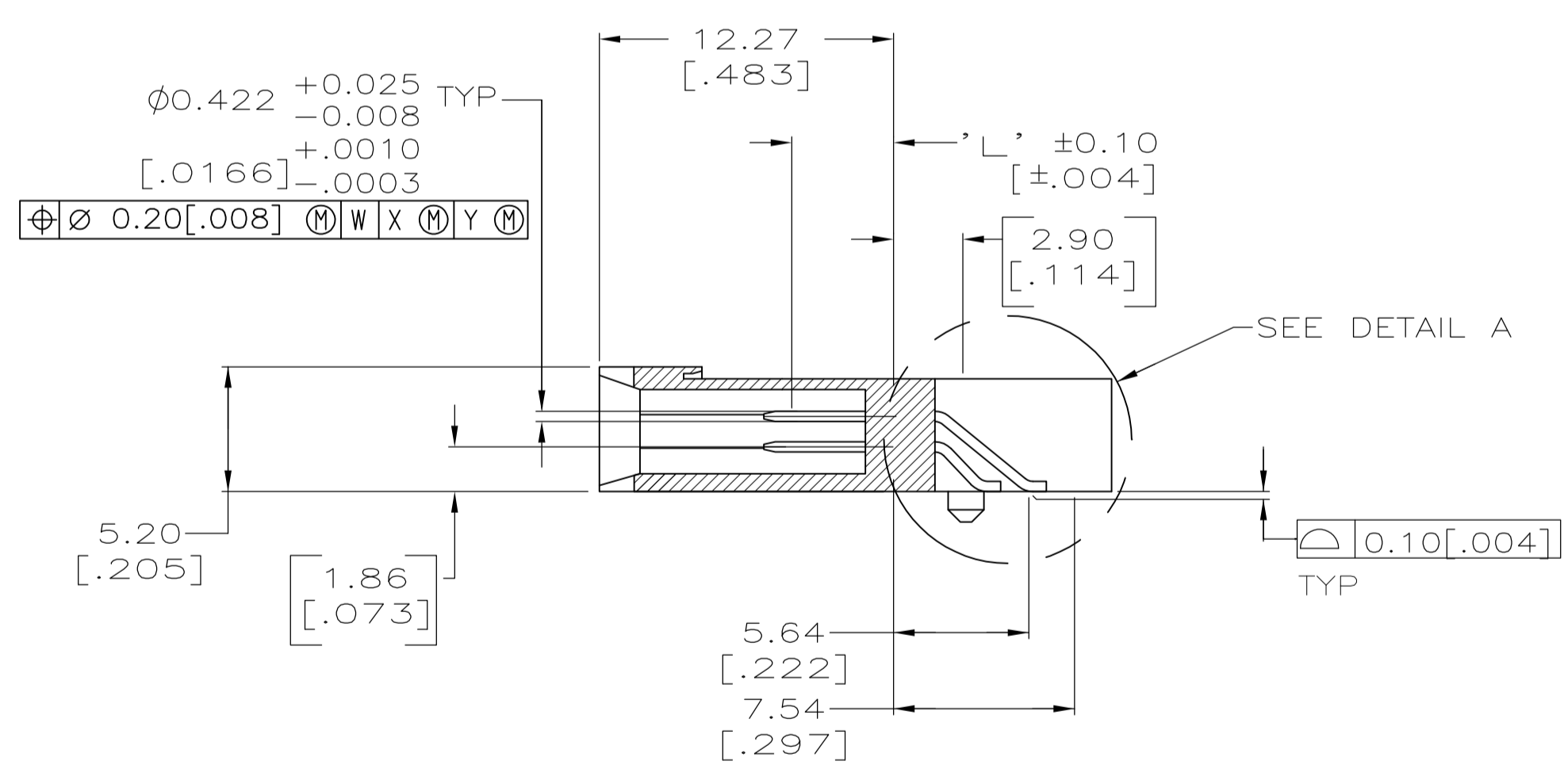
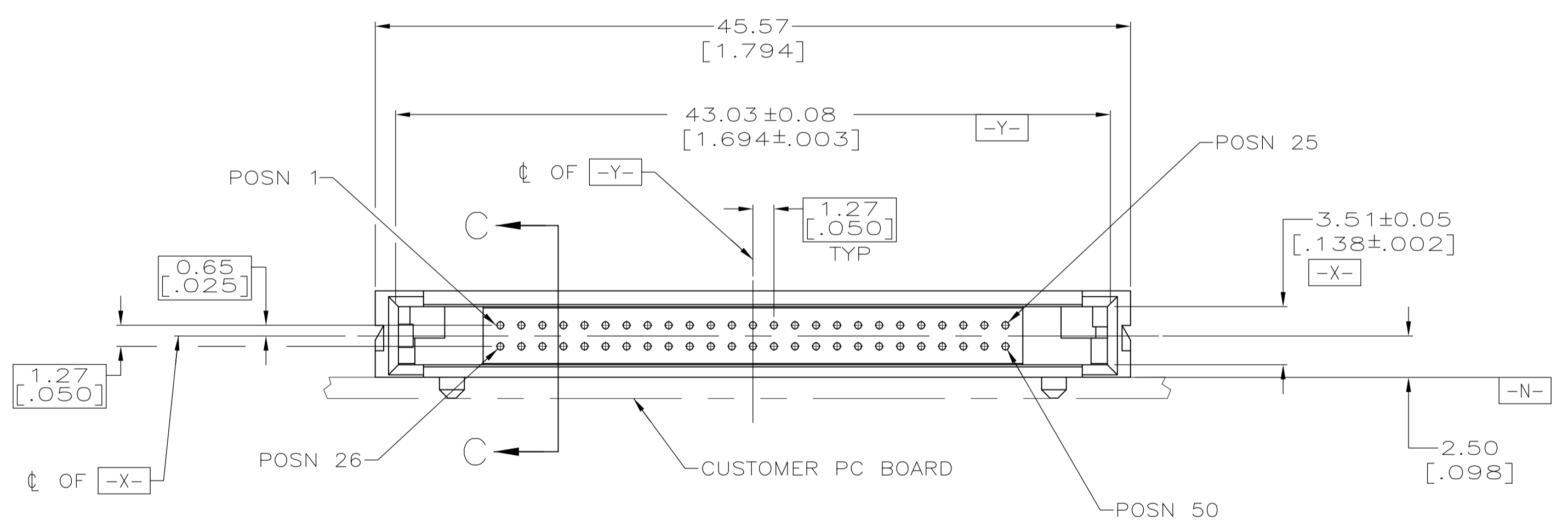
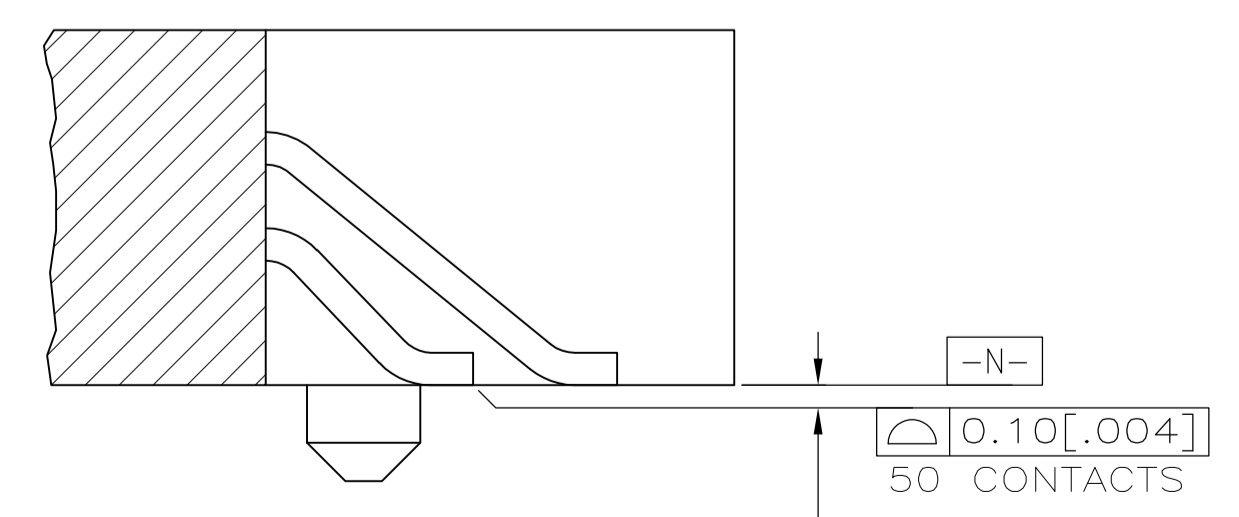


RECOMMENDED BOARD LAYOUT



SECTION C-C



DETAIL A  
SCALE 10:1

- 1 CONTACTS: 0.00076[.000030] MINIMUM GOLD IN CONTACT AREA, 0.00381[.000150] MIN TIN ON SOLDER TAILS, ALL OVER 0.00127[.000050] MINIMUM NICKEL
- 2 CUSTOMER TO PROVIDE CARD GUIDANCE SYSTEM
- 3 DATUMS AND BASIC DIMENSIONS ESTABLISHED BY CUSTOMER
- 4 CONNECTOR REQUIRES USE OF 2 - SIZE 2M SCREWS FOR FASTENING TO PRINTED CIRCUIT BOARD

1, 13, 38, 50	ALL OTHER PINS	25, 26	5120615-1
5.0 [0.197]	4.25 [0.167]	3.5 [0.138]	PART NUMBER
"L" (PIN LENGTH) AND LOCATION			

THIS DRAWING IS A CONTROLLED DOCUMENT.		DIN B MCMMASTER 12JULY05		TE Connectivity	
DIMENSIONS: mm [INCHES]		CHK J. GERACE 12JULY05		NAME	
TOLERANCES UNLESS OTHERWISE SPECIFIED:		APVD M. WALMSLEY 12JULY05		PRODUCT SPEC	
0 PLC ± -	1 PLC ± -	APPLICATION SPEC		PIN HEADER ASSEMBLY, 50 POSN, SMT, TOP MOUNT, LOW PROFILE, AMP COMPACTFLASH	
2 PLC ± 0.13 [0.005]	3 PLC ± -	SIZE	CAGE CODE	DRAWING NO	RESTRICTED TO
4 PLC ± -	ANGLES ± -	WEIGHT	A1	00779	5120615
MATERIAL HOUSING: LCP CONTACTS: BRASS	FINISH	CUSTOMER DRAWING	SCALE 4:1	SHEET 1 of 1	REV P